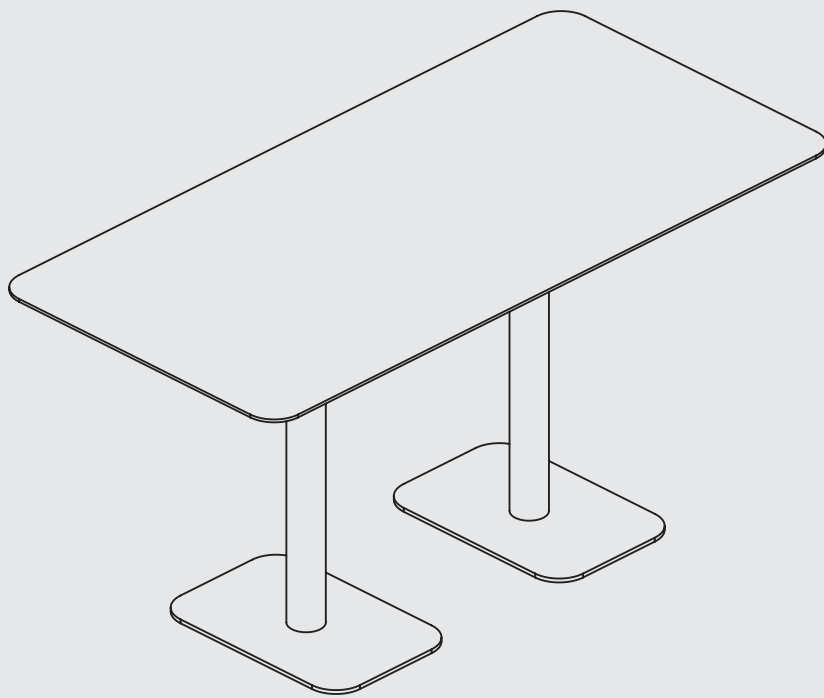


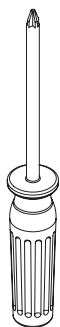
MG 4 Table

Installation Guide



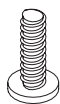
DeVorm

Tools



Cross-head
screwdriver

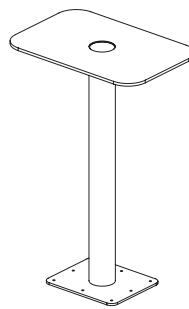
Parts



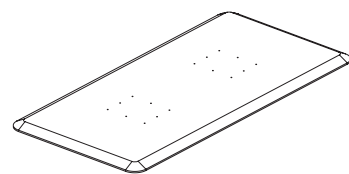
Screw 5x16
16x



Felt glider \varnothing 55x5
8x

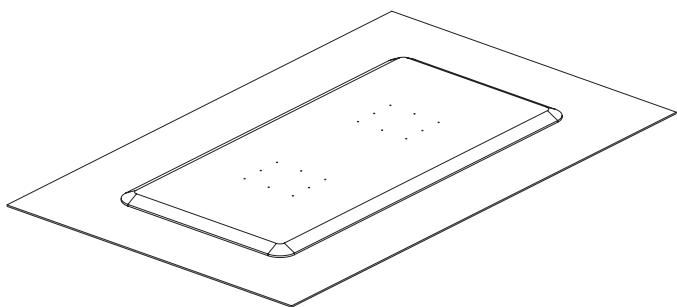


Column base
2x



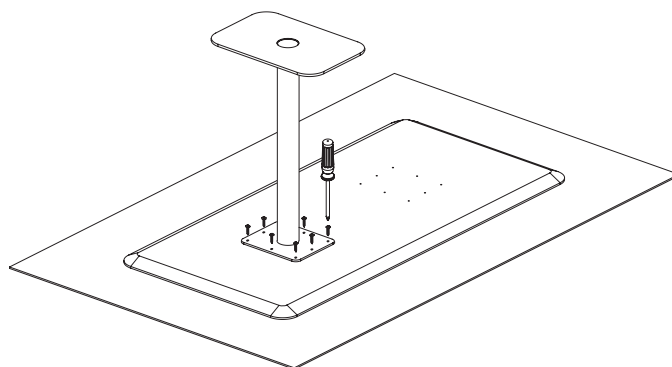
Tabletop
1x

- 1 Place the tabletop on a flat surface facing upward.

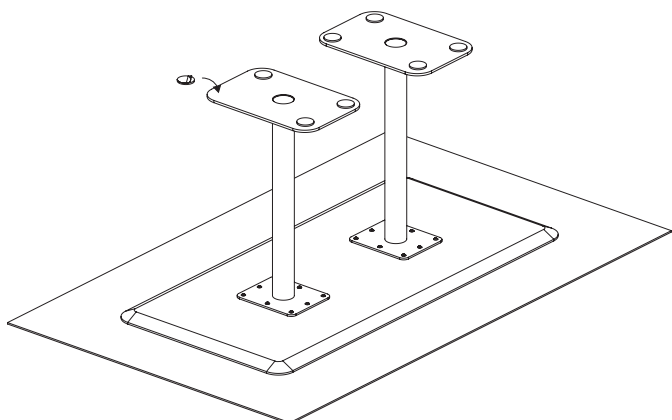


! Use a protective blanket to avoid scratches

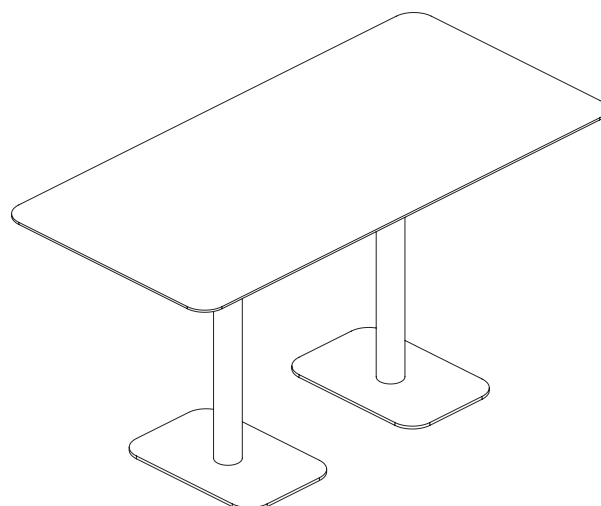
- 2 Align the column base with the hole pattern and screw it in with 8x screws. Repeat this step with the other base.



- 3 Stick 4x felt gliders to the bottom of each column.



- 4 Place the assembled table upright on a flat surface. You are all set!



We create interior products by today's standards.

De Vorm is established in a new era, we develop products by the standards of today. This means we produce efficiently, use the full lifecycle of products and eventually give them a new life.

Our emphasis lies on making a product that works, by setting a variety of conditions; it should be legible, accessible, but also environmental friendly and aesthetically perfectly in balance.

We like a product because of its functionality.

A good product makes life easier — by helping us function better throughout the day. We firmly believe that the beauty of a design lies in the sum of its functions. That is what makes it a complete product.

We continuously raise the bar.

From the very first sketches we already start searching, combining and developing new techniques to find new possibilities to innovate. Our design process is infused with technical development; techniques result in aesthetic features and the other way round.